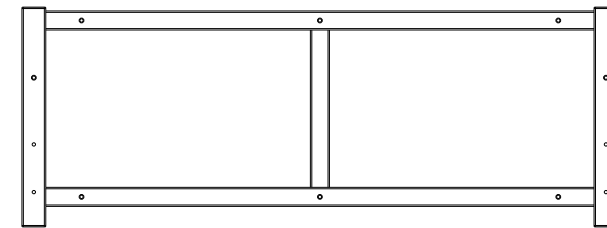
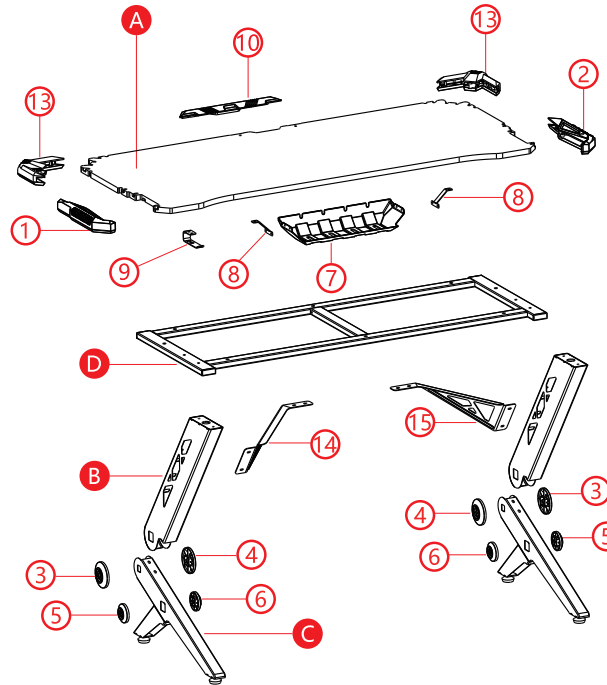
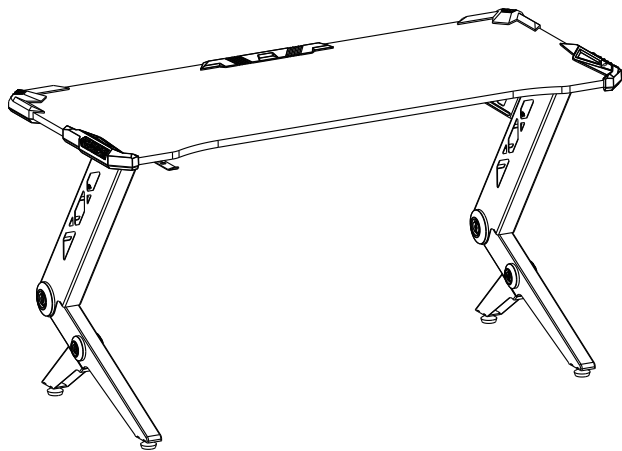
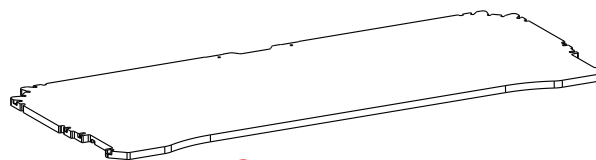


# LDG0213-1 Installation manual



**D** Desk frame × 1

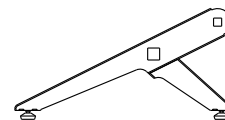
## Bracket



**A** Desktop × 1

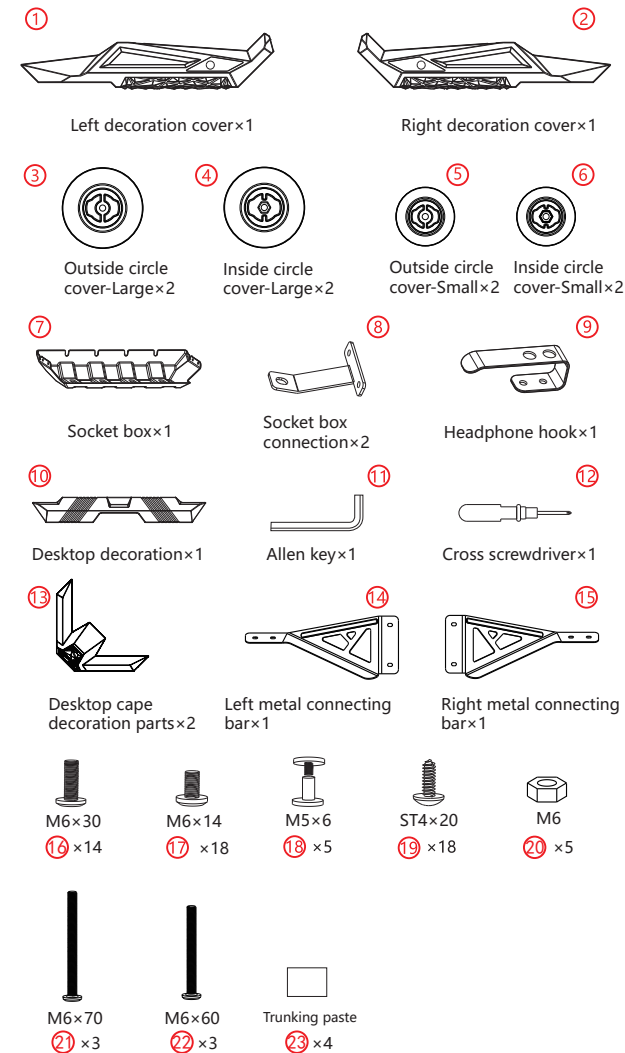


**B** Desk leg part × 2



**C** Desk leg part × 2

## Parts

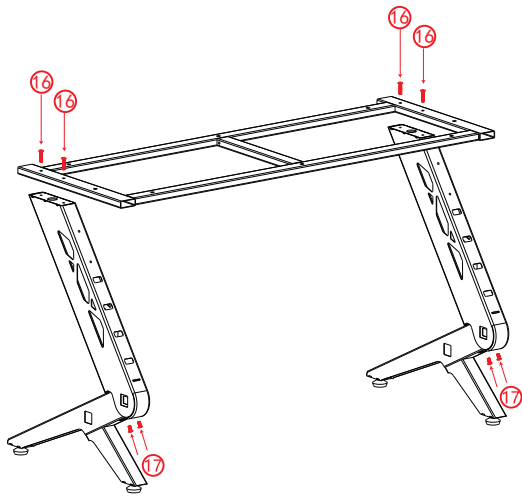


### Attention:

Do not tighten the bolts until all installation is finished. Please assemble the desk on a flat and smooth mat in case of scratches

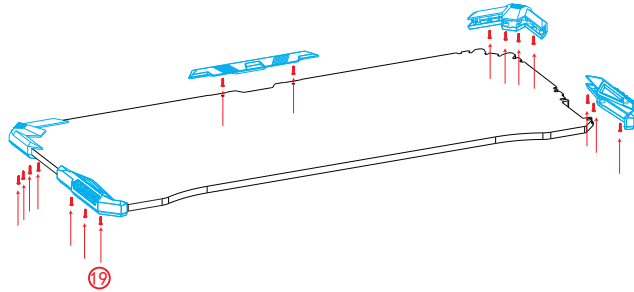


### Step 1



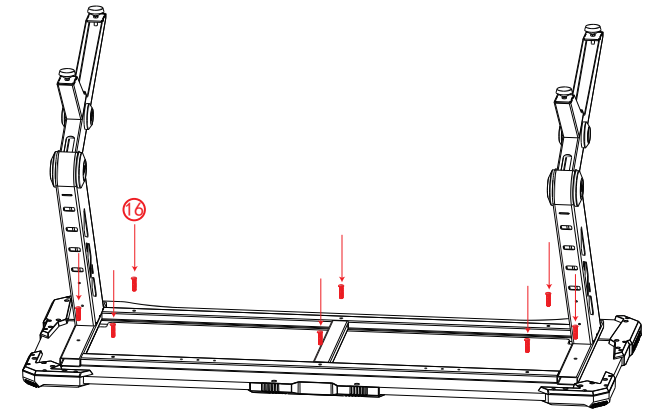
Connect two leg parts with 17, then set up the desk frame with 16

### Step 3



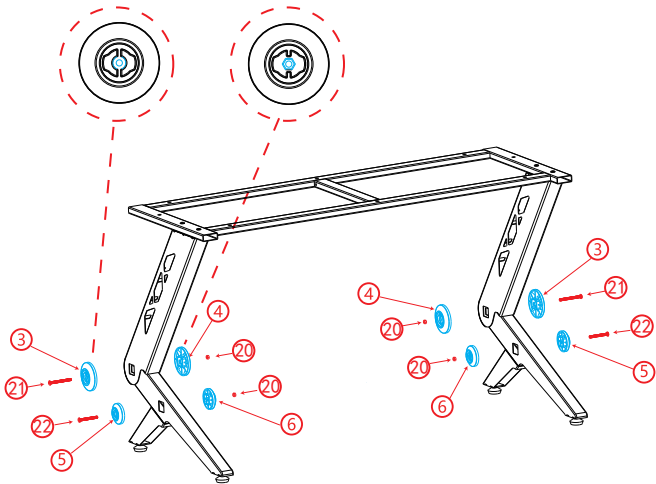
Fix all desktop plastic parts with 19

### Step 5



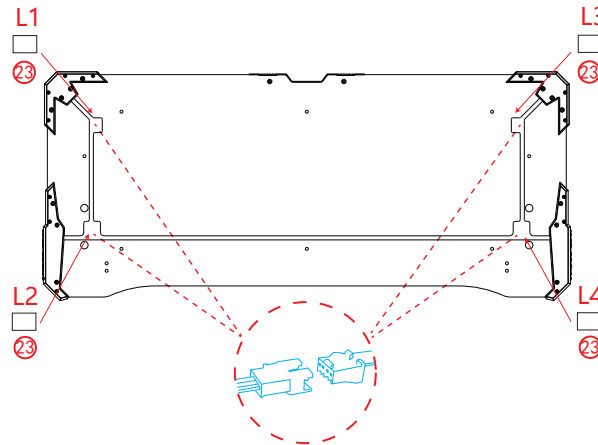
Place the frame upside down and fix the desktop with 16

### Step 2



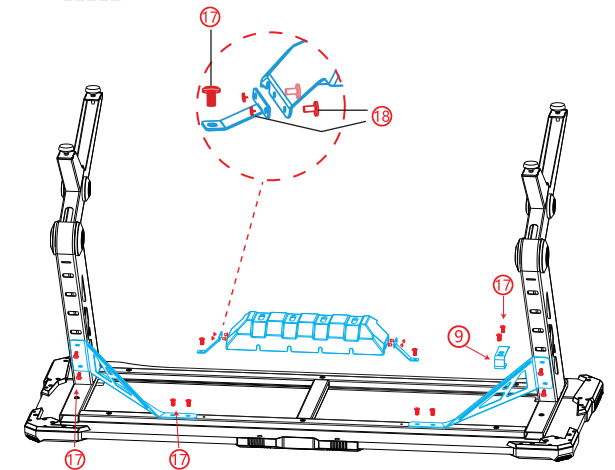
Connect large inside/outside circle covers with 21 20  
connect small inside/outside circle covers with 22 20

### Step 4



Connect the same colour cables from L1 to L4, then stick 23 on the desktop

### Step 6



Headphone hook 9, please install it on the left or right side as per personal preference.  
Fix the left/right metal connecting bars with 17  
The installation is done, please enjoy gaming.